

BARGAIN BLINDS 2" FAUX BY TEXTON, INC

A Ready-Made, Cut-Down Blind Program

Retail Pricing

JANUARY, 2009

Width to:	24	30	36	42	48	54	60	66	72
Length to: 42	75	75	78	86	93	108	125	129	168
48	75	74	85	94	103	120	137	146	152
54	75	81	93	103	112	132	149	162	171
60	75	88	101	111	123	145	161	176	186
66	81	94	108	120	135	158	177	193	205
72	89	101	116	130	147	172	193	204	217
78	94	106	121	136	154	179	201	211	235
84	99	110	126	143	162	186	202	226	250
90	106	117	134	152	172	197	214	240	264
96	110	121	138	158	179	207	228	256	281

Maximum width for a single blind- 72". See below.

Features

All faux wood blinds are made from 500 hour QVC rated slat material.
 Valance, bottom rail, and cord tassels match slat finish
 Returns on valances are miter cut and attached with hidden L brackets (when required)
 Low profile premium constructed head rail for the ultimate durability
 Standard IB deduction is 1/2" (plus or minus 1/8" due to ready-made program variations)

Width Minimum 10.5" Max. (single blind) 72" (multiple blinds) 108"
Height Minimum 10.5" Max. 96"

*Common valance up to 108"

- Available in Silk White and Pearl
- 3 1/4" Decorative Valance
- Trapezoid bottom rail
- Cord Tilt (Child safety break a way cord consolidator)
- Wooden Tassels
- All hardware color coordinator
- 3 year limited warranty

Specifications

Slats: 2" 500 hour highest quality slats material in every blind.
Bottom rail: All blinds have a trapezoid bottom rail.
Head rail: Low profile
Valance: 3 1/4" dual channel valance for beauty and flexibility
Valance clips: Durable adjustable clips to perform to the highest standards
Finish: Smooth only
Mechanisms: All mechanisms are of highest quality constructed materials.
Cord Tilter: Gear driven drum with polyester cord locked in the drum, mechanism is sealed in a neoprene housing. Smooth & quiet operation.
Cord Lock: Crash proof steel with Zinc coating.
Ladders: String ladders are 100% polyester braided coordinating with slat color.
Child Safety: Every blind is equipped with a break a way child safety cord consolidator.

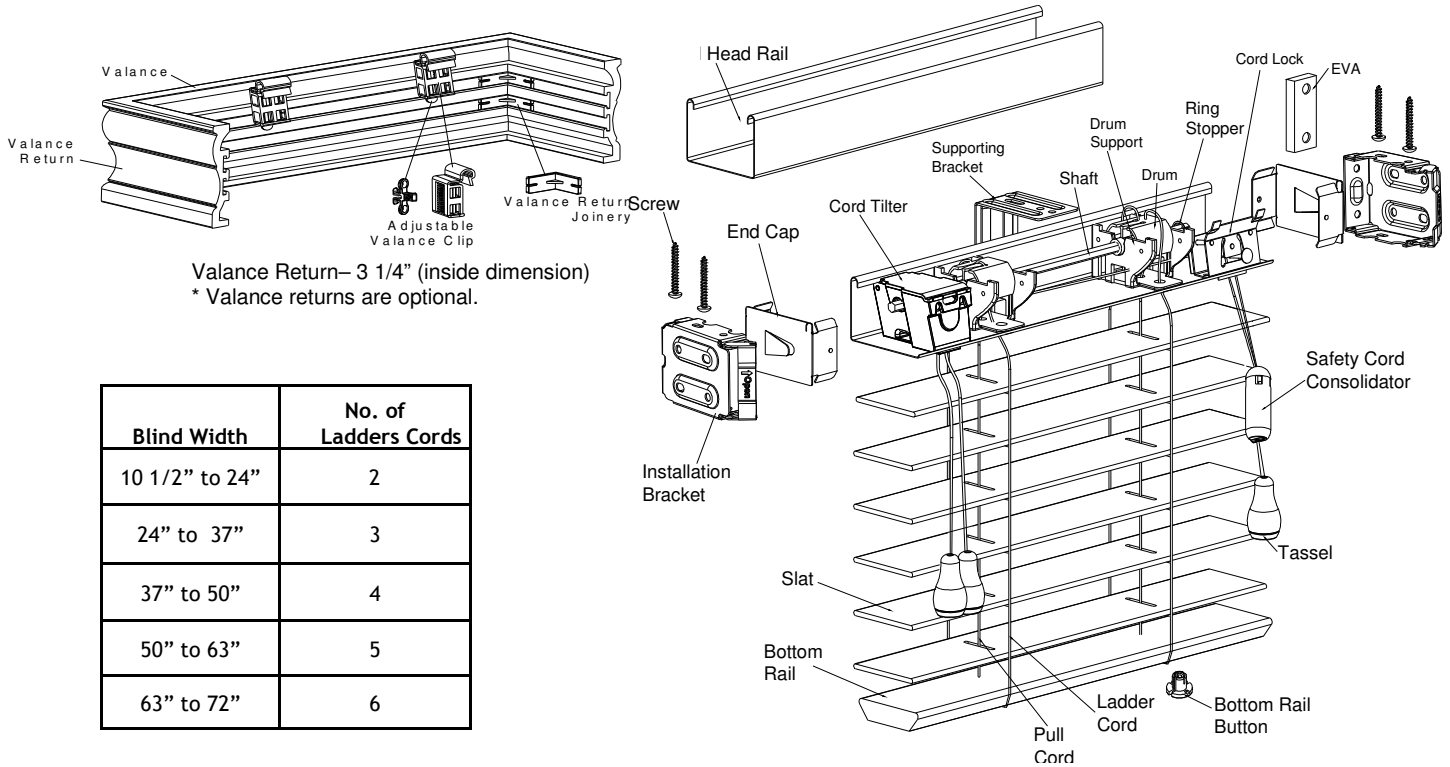


Texton

114 South Kirby St.
 Garland, TX 75042

800-442-1540 972-494-5941 Fax 972-276-5104
www.texton.com

BARGAIN BLINDS 2" FAUX BY TEXTON, INC



Valance Return— 3 1/4" (inside dimension)
* Valance returns are optional.

Blind Width	No. of Ladders Cords
10 1/2" to 24"	2
24" to 37"	3
37" to 50"	4
50" to 63"	5
63" to 72"	6

Blind Width	No. of Installation Brackets	No. of Support Brackets	No. of Valance Clips	No. of Valance Return Clips
10 1/2" to 37"	2	-	2	4
37" to 60"	2	-	3	4
60" to 72"	2	1	3	4

PRODUCT WARRANTY

Texton 2" Faux Bargain Blinds have a 3 Year Limited warranty, PROVIDED THAT such products were (i) properly installed; and (ii) such products were made or assembled exclusively from original materials and components. Any resale or other transfer of the product(s) and/or materials voids this warranty.

This warranty does not cover any condition of damage to the blind or window from unauthorized repairs, motorized devices, accidents, alterations, misuse, abuse, act of God, normal wear and tear, exposure to elements, excessive humidity, fading, discoloration over time or failure to follow the Norman approved instructions with respect to measurement, installation, cleaning or maintenance. Improper, inappropriate, or unauthorized replacement parts, repairs or maintenance voids this warranty.

This warranty excludes all liability for removal of the blind and reinstallation in the same or another window, or damage to the window frame, glass or any other portion of the window. Due to manufacturing, natural variations in color, grain and texture in the products, Norman or its licensed fabricators/distributors are not able to guarantee exact matches on subsequent orders. Returns cannot be authorized due to these normal variations.

To obtain warranty service, please contact the dealer with whom you purchased the product from. Repair or remake of defective products is the sole remedy under this warranty and in no event shall Texton or its licensed distributors be liable for costs to remove and/or reinstall the product. Repairs will be made with only like or similar parts.

This warranty does not include shipping charges, costs of labor for measuring, installation, or trip charges. Warranty claims must be accompanied by proof of purchase, as well as details regarding the nature of the problem, location of the product, etc.

This warranty is EXCLUSIVE AND IN LIEU OF ALL OTHER OBLIGATIONS, LIABILITIES OR WARRANTIES. All other warranties, both expressed and implied, are explicitly disclaimed. In no event shall Texton or its licensed fabricators/distributors be liable or responsible for INCIDENTAL OR CONSEQUENTIAL DAMAGES, or for any other direct or indirect damage, loss, cost, expense or fee. Some states do not allow the exclusion or limitation of implied warranties, or incidental or consequential damages, so the above limitation may not apply to your state. This warranty gives you specific legal rights, and you may also have other rights, which vary from state to state.

Texton

114 South Kirby St.
Garland, TX 75042

800-442-1540

972-494-5941 Fax 972-276-5104

www.texton.com