

# Faux Wood Collection

**Texton, INC.**



## Product Reference & Price Guide

May 2010

---

*Prices subject to change without notice.*



**TABLE OF CONTENTS**

Program Summary ..... 3

**2" PRICE GRIDS:**

2" White with Routed Slats with Braided Ladder ..... 4

2" White with Slats with Cloth Fashion Tape

**2" PRICE GRIDS:**

2" Stain with Routed Slats with Braided Ladder ..... 5

2" Stain with Slats with Cloth Fashion Tape

**2½" PRICE GRIDS:**

2½" White with Routed Slats with Braided Ladder ..... 6

Size Standards ..... 7

Finished Dimensions ..... 7

Mounting Requirements ..... 7

Stacking Heights ..... 7

Control Options ..... 7

Ladder Count ..... 7

Valance Return Lengths ..... 7

Measuring Guidelines ..... 8-9

Motorization Specifications ..... 10

Warranty ..... 11

Horizontal Blinds Order Form ..... 12



## PROGRAM SUMMARY

### FEATURES AND OPTIONS

- Harmonious coloration throughout the blind, even on the end of the slat and rout holes.
- Decorative crown valance to match every color and stain
- Available in 8 different wood tones, 6 shades of white and 13 embossed colors
- A truthful wood look
- Select colors available in 2" and 2.5" slats
- An affordable option for your window treatment
- Resistant to extreme situations such as humidity and temperature changes
- Tape upgrades available to coordinate with your overall color scheme
- Limited 3-year warranty

### BLIND AUTOMATION

- Control your shades with the touch of a button
- Perfect for hard-to-reach windows
- Safer for children and pets — eliminates dangling cords

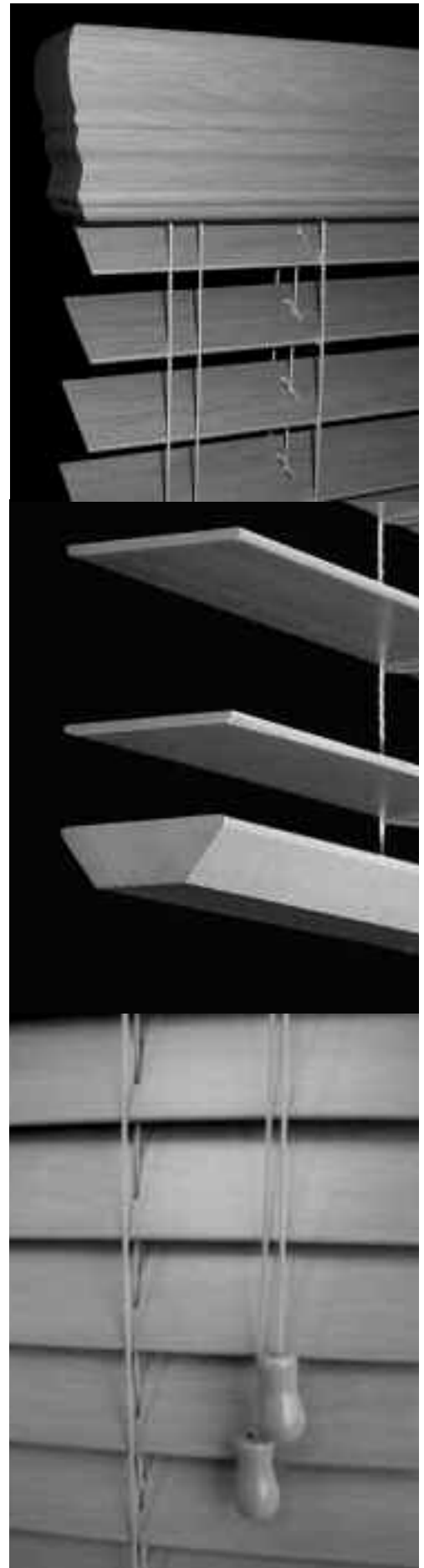
### FASHION TAPES AND DECORATIVE TRIMS

- Customize your blinds with Allwood and Windsong Fashion Tapes
- Available in an array of bold colors, as well as subtle and delicate patterns

### HARDWARE SYSTEM

- Heavy duty components for smooth operation, higher load capacity, and enduring performance.
- High strength resin supports to handle the heaviest loads.
- Heavy duty steel headrail for durability and corrosion resistance.
- Crash-proof cordlock to hold slats securely in any position.
- Top-hinged end bracket cover for easy installation and removal.

**Allwood and Windsong Faux Wood Blinds** have the rich, natural look of real wood, but are fabricated from materials that offer advantages that wood can not. Faux wood slats will not warp or crack, even in hot, humid conditions, making these blinds ideal for applications such as kitchens and bathrooms. The finish is always even and will not fade. Faux wood blinds are a more economical alternative to wood blinds.





**2" ALLWOOD WITH ROUTED SLATS AND BRAIDED LADDERS**  
**2" WINDSONG WITH ROUTED SLATS AND BRAIDED LADDERS**

WIDTH:		24"	30"	36"	42"	48"	54"	60"	66"	72"	78"	84"	90"	96"
HEIGHT TO:	30"	74	79	86	93	100	112	132	138	155	161	167	173	179
	36"	80	88	94	100	113	131	144	151	169	176	183	189	196
	42"	86	99	112	120	132	148	156	164	183	191	199	207	216
	48"	92	115	119	135	144	158	168	177	196	206	216	225	235
	54"	98	121	132	143	154	169	179	189	211	221	232	242	252
	60"	105	127	139	151	162	179	191	202	225	237	248	260	271
	66"	111	133	146	158	171	189	202	216	238	251	264	277	289
	72"	118	139	154	167	181	200	214	227	252	267	289	294	318
	78"	125	145	160	175	191	211	226	241	267	282	296	312	
	84"	135	151	167	183	200	221	237	254	281	296	313		
	90"	139	157	174	192	208	231	249	267	294	312			
96"	144	162	181	200	218	242	261	279	308					

Due to the size and required lifting forces, it is strongly recommended that blinds greater than 72" in width use Two on One or Three on One headrails.



**2" ALLWOOD SLATS WITH CLOTH FASHION TAPE**  
**2" WINDSONG SLATS WITH CLOTH FASHION TAPE**

WIDTH TO:		24"	30"	36"	42"	48"	54"	60"	66"	72"	78"	84"	90"	96"
HEIGHT TO:	30"	83	89	97	105	113	126	149	156	175	182	188	195	202
	36"	90	100	106	113	128	148	163	171	191	199	207	214	222
	42"	97	112	126	136	149	167	176	186	207	215	225	234	244
	48"	104	131	135	152	163	179	190	200	222	233	244	254	265
	54"	110	137	149	161	174	191	202	214	238	250	262	273	285
	60"	118	144	157	171	183	202	215	229	254	268	280	293	307
	66"	125	151	165	179	194	214	229	244	269	284	299	313	327
	72"	133	157	174	188	205	226	242	257	285	301	327	332	359
	78"	141	164	180	198	215	238	256	272	301	319	335	353	
	84"	152	171	188	207	226	250	268	287	318	335	354		
	90"	157	178	196	217	235	261	281	301	332	353			
96"	163	183	205	226	246	273	295	315	348					

Due to the size and required lifting forces, it is strongly recommended that blinds greater than 72" in width use Two on One or Three on One headrails.

Two on One and Three on One Headrail Blinds: Price at the total width of all of the blinds combined.

Cut-outs: add \$19.00 per blind.

**MOTORIZATION SURCHARGE**

- Standard Tilt Motor.....\$245
- Heavy Duty Tilt Motor .....\$272
- Remote Control .....\$65
- 10 Satellite Eye .....\$35

PRICE GROUP  
**B1**

**2" ALLWOOD STAIN WITH ROUTED SLATS AND BRAIDED LADDERS**

WIDTH:		24"	30"	36"	42"	48"	54"	60"	66"	72"	78"	84"	90"	96"
HEIGHT TO:	30"	81	86	94	102	110	123	145	152	170	177	183	190	196
	36"	88	97	103	110	124	144	158	166	186	194	202	208	216
	42"	94	109	123	132	145	162	172	181	202	210	219	228	237
	48"	101	127	131	148	158	174	185	195	216	227	237	248	258
	54"	107	134	145	157	169	186	196	208	232	244	255	266	278
	60"	115	140	153	166	178	196	210	223	248	261	272	286	299
	66"	122	147	161	174	189	208	223	237	262	276	291	305	318
	72"	130	153	169	183	199	220	236	250	278	293	318	324	350
	78"	138	160	176	193	210	232	249	265	293	310	326	343	
	84"	148	166	183	202	220	244	261	279	309	326	344		
	90"	153	173	191	211	229	254	274	293	324	343			
96"	158	178	199	220	240	266	287	306	339					

Due to the size and required lifting forces, it is strongly recommended that blinds greater than 72" in width use Two on One or Three on One headrails.

PRICE GROUP  
**B2**

**2" ALLWOOD STAIN SLATS WITH CLOTH FASHION TAPES**

WIDTH TO:		24"	30"	36"	42"	48"	54"	60"	66"	72"	78"	84"	90"	96"
HEIGHT TO:	30"	92	98	107	115	124	139	164	172	192	200	207	215	222
	36"	99	110	117	124	141	163	179	188	210	219	228	235	244
	42"	107	123	139	149	164	184	194	204	228	237	247	258	268
	48"	114	144	148	167	179	197	209	221	244	256	268	280	292
	54"	121	151	164	178	191	210	222	235	262	275	289	300	314
	60"	130	158	173	188	201	222	237	252	280	295	308	323	337
	66"	138	166	182	197	213	235	252	268	296	312	329	345	360
	72"	147	173	191	207	225	249	266	283	314	332	360	366	395
	78"	155	181	198	218	237	262	281	299	332	351	369	388	
	84"	167	188	207	228	249	275	295	315	349	369	389		
	90"	173	195	216	238	259	287	309	332	366	388			
96"	179	201	225	249	271	300	324	346	383					

Due to the size and required lifting forces, it is strongly recommended that blinds greater than 72" in width use Two on One or Three on One headrails.

Two on One and Three on One Headrail Blinds: Price at the total width of all of the blinds combined.

Cut-outs: add \$19.00 per blind.

**MOTORIZATION SURCHARGE**

- Standard Tilt Motor.....\$245 (maximum blind size 22 sq. ft.)
- Heavy Duty Tilt Motor .....\$272 (maximum blind size 46 sq. ft.)
- Remote Control .....\$65
- 10" Satellite Eye .....\$35



2 1/2" ALLWOOD WITH ROUTED SLATS AND BRAIDED LADDERS

WIDTH:		24"	30"	36"	42"	48"	54"	60"	66"	72"	78"	84"	90"	96"
HEIGHT TO:	30"	83	88	96	104	112	125	148	155	173	180	187	193	200
	36"	89	99	105	112	127	147	161	169	189	197	205	212	220
	42"	96	111	125	135	148	165	175	184	205	213	223	232	241
	48"	103	129	133	151	161	177	188	199	220	231	241	252	262
	54"	109	136	148	160	172	189	200	212	236	248	260	270	282
	60"	117	143	156	169	181	200	213	227	252	265	277	290	304
	66"	124	149	164	177	192	212	227	241	266	281	296	310	324
	72"	132	156	172	187	203	224	240	254	282	298	324	329	356
	78"	140	163	179	196	213	236	253	269	298	316	332	349	
	84"	151	169	187	205	224	248	265	284	314	332	350		
	90"	156	176	195	215	233	258	278	298	329	349			
96"	161	181	203	224	244	270	292	312	345					

Due to the size and required lifting forces, it is strongly recommended that blinds greater than 72" in width use Two on One or Three on One headrails.

Two on One and Three on One Headrail Blinds: Price at the total width of all of the blinds combined.

Cut-outs: add \$19.00 per blind.

**MOTORIZATION SURCHARGE**

- Standard Tilt Motor.....\$245
- Heavy Duty Tilt Motor .....\$272
- Remote Control .....\$65
- 10 Satellite Eye .....\$35

SPECIFICATIONS

SIZE STANDARDS

	Width	Height
Standard Rectangular	Min. 8" 96"	Min. 10" 96"
Two-on-One Headrail	Min. 30" Max. 96"	Min. 10" Max. 96"
Three-on-One Headrail	Min. 45" Max. 96"	Min. 10" Max. 96"

\*All blinds 8" OB to 13" OB or 8 1/2" IB to 13 1/2" IB are available with center tilt only, no lift cords. \*\*Due to weight limitations, Allwood and Windsong Faux Wood Blinds are only available up to 96" in length.

MULTIPLE BLINDS ON ONE HEADRAIL

Width	
Minimum overall net width, 2 on 1	12 1/4"
Minimum overall net width, 3 on 1	18 1/2"
Maximum ordered width	96"
Height	
Minimum ordered height	12"
Maximum ordered height	96"
Area	
Maximum number of blinds	3
Space between blinds (routed)	1/4"
Space between blinds (routless)	1/2"

FINISHED DIMENSIONS

Inside Mount Allowance	
Blind	1/2" less than ordered width
Valance	1/8" less than ordered width

Outside Mount Allowance	
Blind	As ordered
Valance	5/8" greater than ordered width
Standard valance returns	2 1/2"

Multiple Blinds on One Headrail

Gap between blinds	3/8"
--------------------	------

MOUNTING REQUIREMENTS

2-Inch Slats	
Min. shallow mounting surface	5/8"
Min. flush inside mounting surface	2 1/2"
Min. outside mounting surface	3/4"

2 1/2" -Inch Slats	
Min. shallow mounting surface	7/8"
Min. flush inside mounting surface	2 1/2"
Crown Valance	3 1/2"
Min. outside mounting surface	3/4"

CONTROL OPTIONS

**Lift Cord:** Standard length equals 2/3 of the total blind length ordered.

**Tilt Cord:** (Standard) Standard length is 4" less than the length of the lift cord. Minimum length is 20"

**Tilt Wand:** (no charge option) Available on all Allwood and Windsong Faux Wood Blinds except 2 1/2" Slat Blinds (cord tilt only)

LADDER COUNT

Ladder Quantity	Blind Width
2 each	6" to 21" wide
3 each	32" wide
4 each	43" wide
5 each	54" wide
6 each	65" wide
7 each	76" wide
8 each	87" wide
9 each	96" wide

FAUX STACKING HEIGHTS *With braided ladders.*

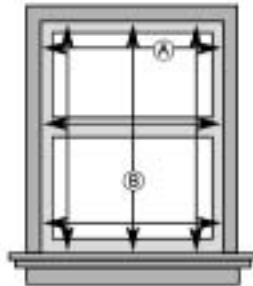
Blind Height:	48"	72"	84"	96"
Stack height	7 3/4"	10 1/2"	12"	13 3/8"

**MEASURING GUIDELINES**

Accurate measurements are essential. for both correct pricing and proper fit. Use only a hard-edged ruler or steel tape, never a cloth tape. For inside mounts, width measurements should be rounded down to the nearest 1/8" to prevent blind from binding against the window casing.

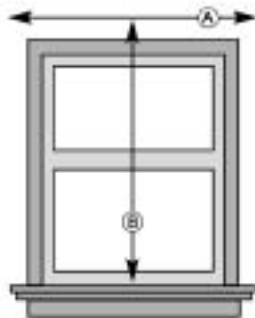
**INSIDE MOUNTING (IB)**

- For **WIDTH (A)**, measure across the window casing from one inside edge to the other in three places, top middle, and bottom. Record the **smallest** width rounded **down** to the nearest 1/8".
- For **HEIGHT (B)**, measure the inside area from the top inside edge down to the top of the sill in three places, left, middle and right. Record the **longest** length rounded **up** to the nearest 1/8".
- The factory will make all the necessary deductions for inside mount.



**OUTSIDE MOUNTING (OB)**

- For **WIDTH (A)**, measure from one edge of the casing to the other, then add a minimum of 4" (2" each side), for blind overlap. Record the measurement rounded **up** to the nearest 1/8".
- For **HEIGHT (B)**, measure from the top of the window sill up to the desired top of the blind. Again, record the measurements rounded **up** to the nearest 1/8".
- Outside mounted blinds are fabricated to order dimensions.



**MEASURING GUIDELINES**

**Allwood and Windsong Side Cut-Out Blinds** have rectangular areas removed from the blind to avoid obstructions (such as an air-conditioner). Cut-outs may be from the bottom corners of the blind. While a template is not required, when ordering a cut-out blind, a **diagram** of the blind with **all dimensions noted** must be included.

**DIAGRAM**

When ordering, include a diagram showing all dimensions:

- A ..... Overall Width of Blind
- B ..... Overall Height of Blind
- C ..... Bottom Width of Blind
- D ..... Width of Cut-Out (max. 4 inches)
- E ..... Height of Cut-Out
- F ..... Height of Shorter Side

## MEASURING FOR VALANCES

### MEASURING FOR VALANCES

- Valances and returns are cut at the inside measurement. The inside measurement refers to the inside wall of the valance or the returns. (*Lengths A B and C D in Fig. 1*).
- It is strongly recommended measuring for the exact size of the valance needed when measuring for your Allwood and Windsong Faux Wood Collection Blinds.

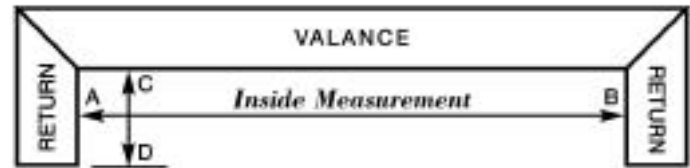


Fig. 1

### INSIDE MOUNT (IB) VALANCES

(Made without returns)

#### STANDARD VALANCE:

Valance is cut to the ordered blind width minus  $\frac{1}{8}$ ".

#### CUSTOM VALANCE:

Valance is cut exactly to the ordered valance width.

#### PLEASE NOTE:

If a window is not square, the width may vary at different points on the window. If the ordered width of the blind is less than the width that the actual valance will cover, then the valance will appear short in width. Please order a custom size valance when the width at the top of the window, where the valance is attached, is greater than the ordered width. (*See Window Measurement section to obtain a full description of how to properly measure a window for Allwood and Windsong Faux Wood Blinds*).

### OUTSIDE MOUNT (OB) VALANCES

(Made with returns)

#### STANDARD VALANCE:

Valance is cut to the ordered blind width plus  $\frac{5}{8}$ " on the inside of the valance (*length A to B on Fig. 1*) with standard returns.

#### CUSTOM VALANCE:

Valance is cut to the ordered valance width on the inside of the valance (*length A to B on Fig. 1*) with returns made as ordered. Always make sure the width ordered is large

### COMMON VALANCE

A Common Valance is made to cover more than one blind to create a unified look. (Can be either an IB or OB valance. Exact measurements must be supplied).

### VALANCE RETURNS

- Returns can be cut as small as  $\frac{1}{2}$ " minimum inside (*length C to D on Fig. 1*)

## SPECIFICATIONS ~ MOTORIZATION

### FEATURES AND BENEFITS

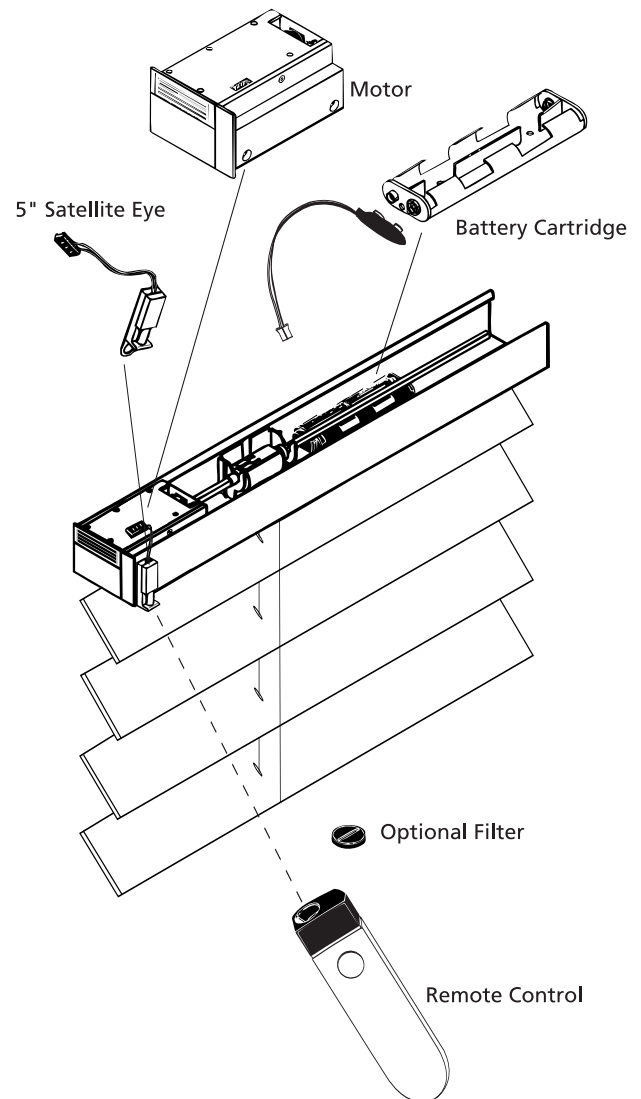
- Top of the line battery powered standard motor, capable of tilting blinds up to 15 pounds.
- Top of the line battery powered heavy duty motor, capable of tilting blinds up to 30 pounds.
- Internal brake holds blind in place.
- Provides tight slat closure to eliminate light gap, with no roll back.
- Limit switches allow blind to stop when completely closed.
- Limit switches prevent the blind and motor from potential damage.
- 5" Satellite Eye standard, optional 10" Satellite Eye extends receiving eye for cornice applications.
- Motor is fully enclosed in the headrail.
- No unsightly battery packs or controls.
- Minimum of 4 1/2" end routes necessary.
- No tilt wand or cord punch necessary.
- Installs with standard installation hardware.

### BATTERY CARTRIDGE *(Batteries Included)*

- (4) AA lithium or alkaline batteries.
- Lithium battery life expectancy 3 - 5 years.
- Cartridge enclosed in the headrail with no unsightly cables.

### REMOTE CONTROL *(Batteries Included)*

- One button remote that operates up to 50' away.
- Signal not affected by florescent or halogen lighting.
- Operational distance may be affected by bright sunlight.
- Operates an unlimited number of blinds without changing channels.
- Remote filter available for bay window applications or side by side blinds.
- Operates with (3) AA alkaline batteries (lithium not recommended for remote).



### WARRANTY

- 5 year Warranty.

### BLIND SIZE CHART

Product Type	Max. Sq. Ft. Standard Motor	Max. Sq. Ft. Heavy Duty Motor
2" Faux Wood	22'	46'

- Minimum width 18 3/4"

Note: To calculate square footage of a blind, multiply blind height (in inches) times the blind width (in inches) then divide by 144.

**Texton, INC.** *Faux Wood Collection*

Account Name: \_\_\_\_\_ Date: \_\_\_\_\_ Ship to: \_\_\_\_\_  
 Account Number: \_\_\_\_\_ Contact: \_\_\_\_\_ Address: \_\_\_\_\_  
 PO #: \_\_\_\_\_ City/State/Zip: \_\_\_\_\_  
 Sidemark: \_\_\_\_\_ Phone #: \_\_\_\_\_ Contact Phone: \_\_\_\_\_  
 Order by: \_\_\_\_\_

**Horizontal Blinds Order Form**

Special Notes: \_\_\_\_\_  
 \_\_\_\_\_  
 \_\_\_\_\_  
 \_\_\_\_\_

APPROXIMATE STANDARD DEDUCTIONS	
All Blinds	
IB - Width 1/2"	
OB - Width Zero	

Line # / Tag Name	Qty	Color #	Slat Style 2" White, 2 1/2" White, 2" Stains, 2 1/2" Embossed	Measurements in inches		Mount (IB or OB)	Control Option		Stack Side (L or R)	Decorative Tape / Fashion Trim			Hold Downs	Additional Options
				Width	Length		Cord Tilt (L or R)	Lift Cord (L or R)		Size	Style	Color #		
1														
2														
3														
4														
5														
6														
7														
8														
9														
10														

*For orders placed by phone, clients will assume all responsibility. Custom orders cannot be cancelled once processed.*

