

Portrait Ready-Made Honeycomb Shades *by* **Texton**

Suggested Retail Pricing

November, 2009

Cut-Down Pricing*

3/4" Single Cell Translucent Cut-Down

Natural & Snow Drift

	24"	27"	30"	33"	36"	42"	48"	60"
52"	96	103	110	117	124	138	152	179
64"	109	117	126	134	143	160	177	212
76"	122	132	142	152	162	183	203	244

1/2" Double Cell Translucent Cut-Down

Cottage White & Sahara

	24"	27"	30"	33"	36"	42"	48"	60"
52"	103	110	118	126	134	150	165	197
64"	117	127	136	146	156	175	194	233
76"	132	143	154	166	177	200	223	269

*These above prices include Texton cutting down the honeycomb shades to your requested size.

Stock Pricing*

3/4" Single Cell Translucent Cut-Down

Natural & Snow Drift

	24"	27"	30"	33"	36"	42"	48"	60"
52"	76	83	90	97	104	118	132	159
64"	89	97	106	114	123	140	157	192
76"	102	112	122	132	142	163	183	224

1/2" Double Cell Translucent Cut-Down

Cottage White & Sahara

	24"	27"	30"	33"	36"	42"	48"	60"
52"	83	90	98	106	114	130	145	177
64"	97	107	116	126	136	155	174	213
76"	112	123	134	146	157	180	203	249

*These above prices do not include Texton cutting down the honeycomb shades to your requested size. Sizes are exact as represented in the charts.

Pack Pricing*

*These prices are for packages (4 or 6) of honeycomb shades. Sizes are as shown.

3/4" Single Cell Translucent Cut-Down

Width	Length	Pack Size	Pack Price	Price per
24	52	6	\$372	\$62
24	64	6	\$450	\$75
24	76	6	\$528	\$88
27	52	6	\$414	\$69
27	64	6	\$504	\$84
27	76	6	\$588	\$98
30	52	6	\$456	\$76
30	64	6	\$558	\$93
30	76	6	\$654	\$109
33	52	6	\$498	\$83
33	64	6	\$606	\$101
33	76	6	\$714	\$119
36	52	6	\$540	\$90
36	64	6	\$660	\$110
36	76	6	\$774	\$129
42	52	4	\$432	\$108
42	64	4	\$520	\$130
42	76	4	\$612	\$153
48	52	4	\$488	\$122
48	64	4	\$588	\$147
48	76	4	\$692	\$173
60	52	4	\$596	\$149
60	64	4	\$728	\$182
60	76	4	\$856	\$214

1/2" Double Cell Translucent Cut-Down

Width	Length	Pack Size	Pack Price	Price per shade
24	52	6	\$414	\$69
24	64	6	\$504	\$84
24	76	6	\$588	\$98
27	52	6	\$462	\$77
27	64	6	\$558	\$93
27	76	6	\$660	\$110
30	52	6	\$510	\$85
30	64	6	\$618	\$103
30	76	6	\$726	\$121
33	52	6	\$558	\$93
33	64	6	\$678	\$113
33	76	6	\$798	\$133
36	52	6	\$606	\$101
36	64	6	\$732	\$122
36	76	6	\$864	\$144
42	52	4	\$480	\$120
42	64	4	\$580	\$145
42	76	4	\$680	\$170
48	52	4	\$540	\$135
48	64	4	\$656	\$164
48	76	4	\$772	\$193
60	52	4	\$668	\$167
60	64	4	\$812	\$203
60	76	4	\$956	\$239

Must Use Pack Pricing

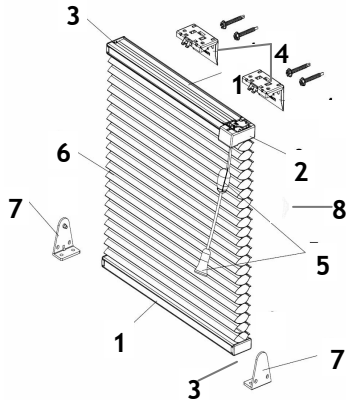
Texton, Inc.

800-442-1540 972-494-5941 Fax: 972-276-5104

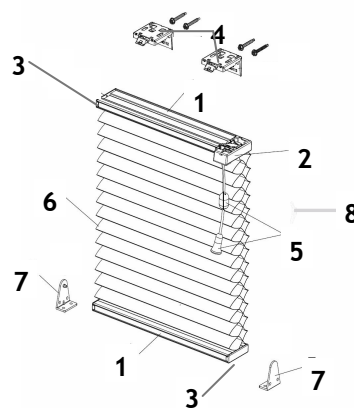
www.texton.com

Portrait Ready-Made Honeycomb Shades by **Texton**

3/4" Single Cell & 1/2" Double Cell Specifications



3/4" Single Cell Shade



1/2" Double Cell Shade

- 1 3/4" Aluminum Rails:**
 - ◇ Low Profile & color-coordinated to fabric
 - ◇ Includes color-coordinated fabric strip
 - ◇ Light yet extremely sturdy
- Cord Lock:**
 - ◇ Color-coordinated to fabric
 - ◇ Locks at any position
 - ◇ Metal locking roller for long-lasting operation
- End Caps:**
 - ◇ Color-coordinated to fabric
 - ◇ Flush-mount design for tight fit
- Mounting Brackets:**
 - ◇ Hidden from view
 - ◇ Snap-in spring loaded steel for easy installation and added durability
- Equalizer Set and Tassel:**
 - ◇ Child breakaway safety tassels on all standard shades.
 - ◇ Color-coordinated to fabric
 - ◇ Flexible design allows length adjustments to be made
- Fabric:**
 - ◇ Innovative double cell structure provides superior insulating efficiency and light control
 - ◇ Offered in Spunlace (Opaque)
 - ◇ Soft-to-the-touch
 - ◇ Neutral back-side view
- Hold-Down Brackets (Optional):**
 - ◇ Secures shade to doors, wall, and window sills
 - ◇ Available upon request
- Cord Cleat (Optional):**
 - ◇ Child safety device that secures cord. Available upon request.

Warranty

Lifetime Limited Warranty

HONEYCOMB SHADE WARRANTY

Honeycomb shades have a Lifetime Limited warranty for as long as the original purchaser owns the shade(s) (or as otherwise stated below*), PROVIDED THAT such products were (i) properly installed; and (ii) such products were made or assembled exclusively from original materials and components. Any resale or other transfer of the product and/or materials voids this warranty.

This warranty does not cover any condition of damage to the shade or window from unauthorized repairs, motorized devices, accidents, alterations, misuse, abuse, act of God, normal wear and tear, exposure to elements, excessive humidity, fading, discoloration over time or failure to follow the approved instructions with respect to measurement, installation, cleaning or maintenance. Improper, inappropriate, or unauthorized replacement parts, repairs or maintenance voids this warranty.

This warranty excludes all liability for removal of the shade and reinstallation in the same or another window, or damage to the window frame, glass or any other portion of the window. Due to manufacturing, natural variations in color, grain and texture in the products, licensed fabricators/distributors are not able to guarantee exact matches on subsequent orders. Returns cannot be authorized due to these normal variations.

To obtain warranty service, please contact the dealer with whom you purchased the product from. Repair or remake of defective products is the sole remedy under this warranty and in no event shall its licensed fabricators/distributors be liable for costs to remove and/or reinstall the product. Repairs will be made with only like or similar parts. This warranty does not include shipping charges, costs of labor for measuring, installation, or trip charges. Warranty claims must be accompanied by proof of purchase, as well as details regarding the nature of the problem, location of the product, etc.

This warranty is EXCLUSIVE AND IN LIEU OF ALL OTHER OBLIGATIONS, LIABILITIES OR WARRANTIES. All other warranties, both expressed and implied, are explicitly disclaimed. In no event shall its licensed fabricators/distributors be liable or responsible for INCIDENTAL OR CONSEQUENTIAL DAMAGES, or for any other direct or indirect damage, loss, cost, expense or fee. Some states do not allow the exclusion or limitation of implied warranties, or incidental or consequential damages, so the above limitation may not apply to your state. This warranty gives you specific legal rights, and you may also have other rights, which vary from state to state.